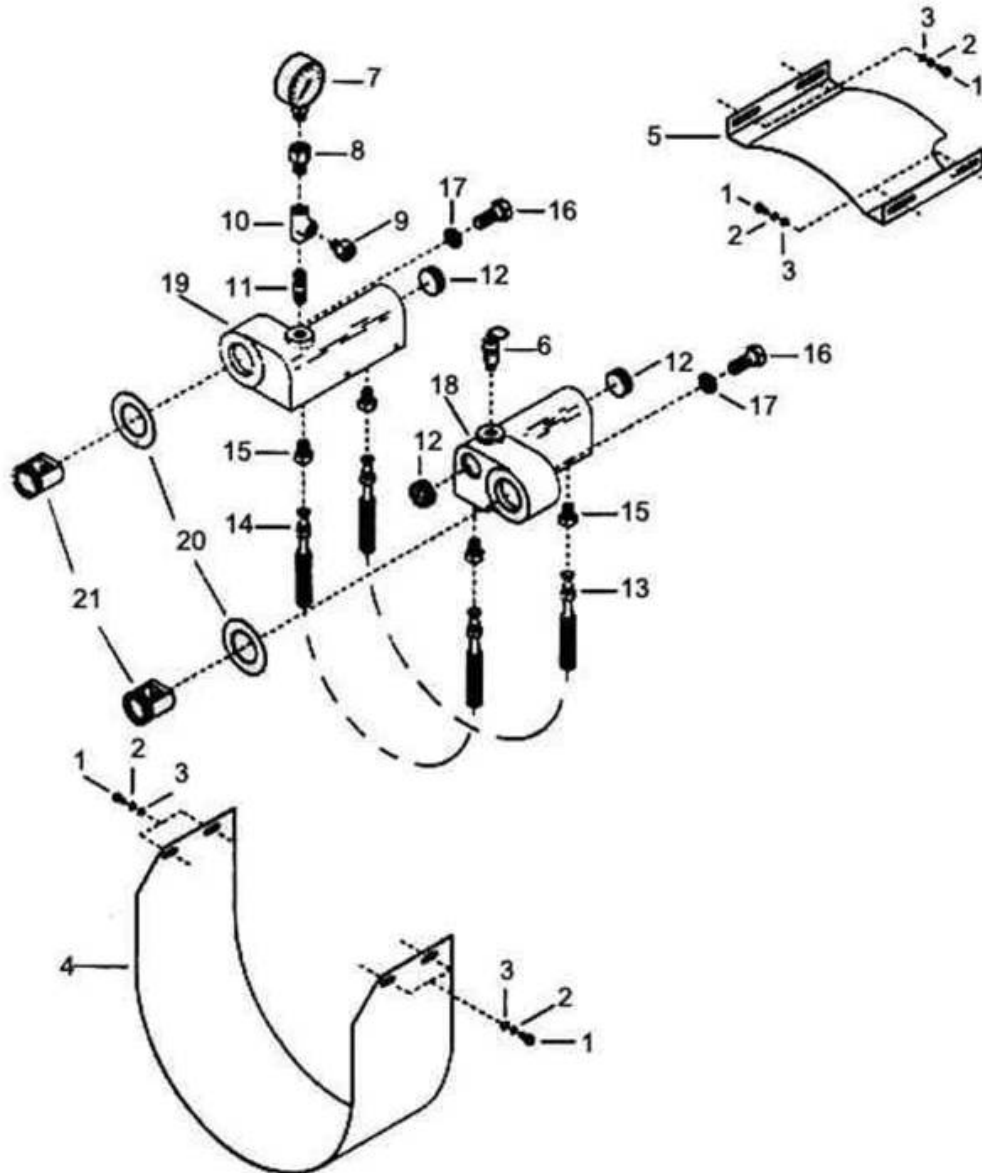


5. Intercooler And shroud Assembly - Model 7T2



All manufacturer's names, numbers, photos, product description and/or part numbers are used for reference purposes only & it is not implied that any part listed is the product of these manufacturers. Since Approvement are made from time to time, the illustration and specifications are subject to change without notice.

5. Intercooler And shroud Assembly - Model 7T2

Ref. No.	Component Part Number	Description	Qty. per Assly.	Spares		
				1	2	3
5-00	32058893	Intercooler Assembly	1			
5-01	95053070	Screw Cap Hex 1/4" X 1/2"	8			
5-02	32035479	Washer Spring 1/4"	8			
5-03	95094298	Washer 1/4" Flat	8			
5-04	30822928	Shroud I/C- Bottom	1			
5-05	30218242	Shroud Intercooler Top	1			
5-06	97048110	Valve Safety 1/4 X 160 PSIG	1		1	2
5-07	95736898	Gauge Pressure 2.5" Dia 0-100 PSI BTM	1			1
5-08	30282396	Damper Assembly - Pulsation	1			
5-09	95082491	Connector	1			
5-10	95063459	Tee M.S. 1/4" X 1/4" X 1/4"	1			
5-11	32175051	Nipple 1/4"	1			
5-12	95101457	Plug Pipe 1"	3			
5-13	32024697	Tube Assembly Finned 3/8" with Nut	1			
5-14	32024689	Tube Assembly Finned 3/8" with Nut	1			
5-15	95083143	Connector Tube 3/8" * 1/4" NPT	24			
5-16	95002168	Screw Hex Head 5/8" X 1-1/2" LG	2			
5-17	30550735	Washer Copper 5/8"	2			
5-18	37128964	Manifold L.P.	1			
5-19	37185360	Manifold H.P - Intercooler	1			
5-20	30294870	Gasket Manifold	2	2	2	4
5-21	30221121	Connection Manifold	2			

All manufacturer's names, numbers, photos, product description and/or part numbers are used for reference purposes only & it is not implied that any part listed is the product of these manufacturers. Since Approvement are made from time to time, the illustration and specifications are subject to change without notice.